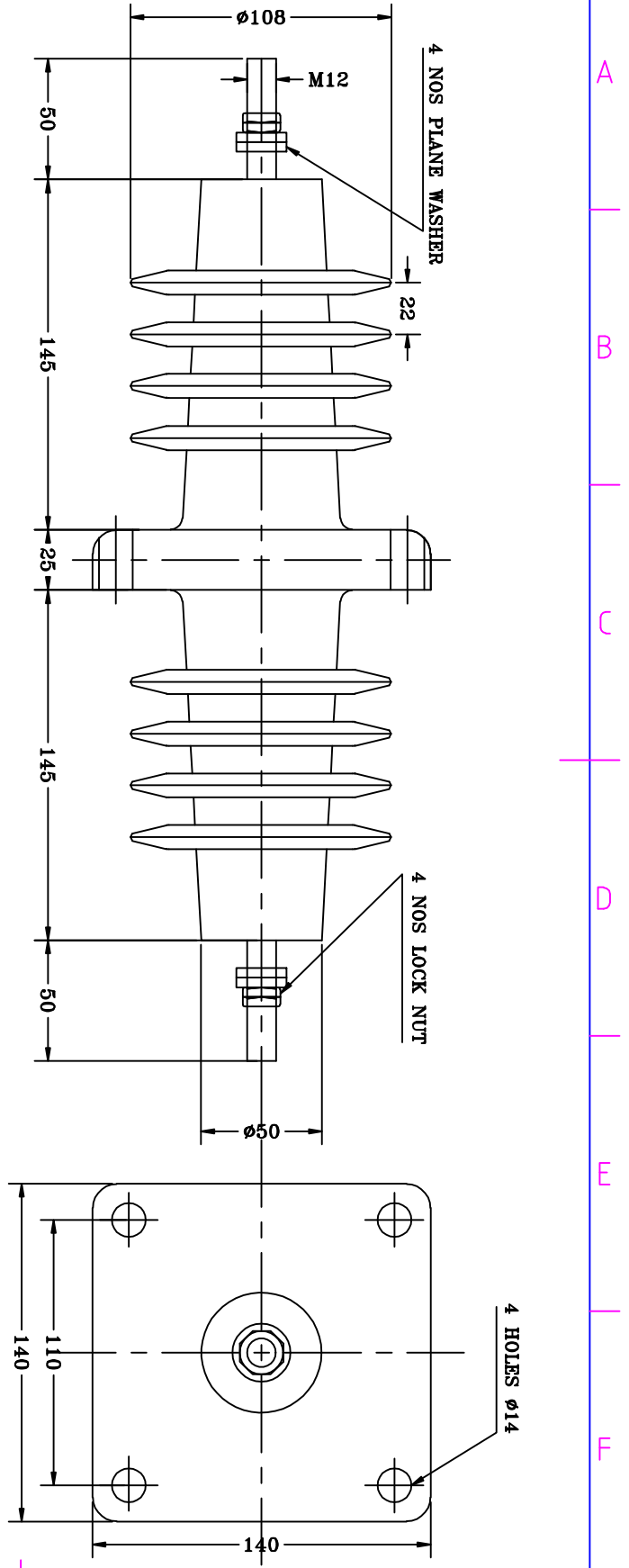


1	2	3	4
RevNo	Revision note	Date	Signature
			Checked



- NOTES:-**
- 1 END COPPER STUD WILL BE ELECTRONNED 15 TO 18 MICRONS.
 - 2 ELECTROLYTIC COPPER WITH HIGH ELECTRICAL CONDUCTIVITY.
 - 3 COLOUR BRICK RED.
 - 4 ALL DIMENSION ARE IN MM.

ELECTRICAL SPECIFICATION

- 1 RATED VOLTAGE.....12kv
- 2 ONE MINUT DRY WITHSTAND VOLTAGE....42kv
- 3 RATED CURRENT.....250Amp
- 4 IMPULSE WITHSTAND VOLTAGE.....75kvp
- 5 CREEPAGE DISTANCE.....31mm/kv

01	12 kv/250amp	DISCRPTION	
TYPE		EPOXY RESINE CAST BUSHING	
		ITEM CODE:	FF0057
<p>THIRD ANGLE * DO NOT SCALE THE DRAWING</p>		DRN.	TANVI
		CHD.	AP
		APPD.	-
<p>MANUFACTURER Fibre & Fibre Glass Products 250/7, MAGAZIN ROUSS G.I.D.C. MARGAURA, VADODARA- 390010</p>		DRAWING NO.:	FFGP-003/08-09
		Sheet	1/1
		Edition	0
		REV	0