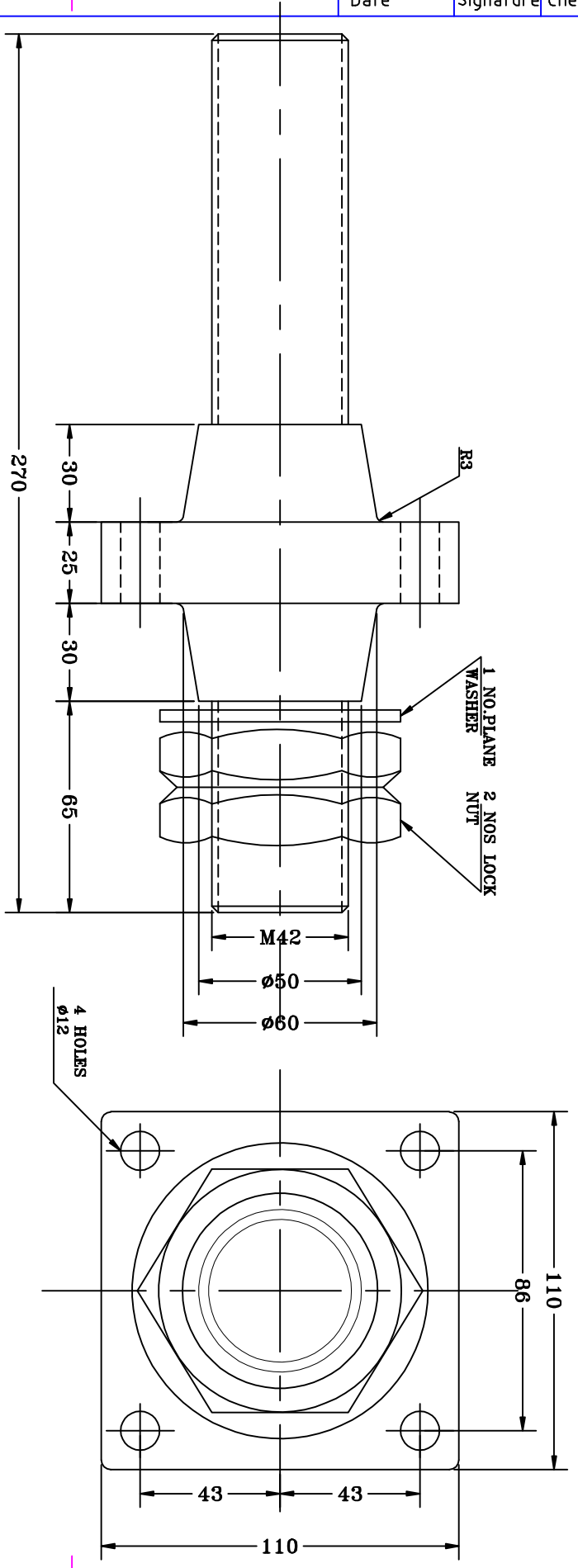


RevNo	Revision note	Date	Signature	Checked
-------	---------------	------	-----------	---------



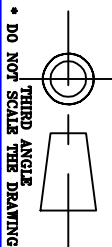
**NOTES:-**

- 1 END COPPER STUD WILL BE ELECTRONNED 12 TO 15 MICRONS.
- 2 ELECTROLYTIC COPPER WITH HIGH ELECTRICAL CONDUCTIVITY.
- 3 COLOUR BRICK RED.
- 4 ALL DIMENSION ARE IN MM.

**ELECTRICAL SPECIFICATION IS: 2099-1986**

- 1 RATED VOLTAGE.....1.1kv
- 2 ONE MINUT DRY WITHSTAND VOLTAGE....5kv
- 3 MAXIMUM CURRENT CAPACITY.....2000amp
- 4 CREEPAGE DISTANCE.....31mm/kv

01	1.1KV, 2000A	DISCRPTION						
TYPE		EPOXY RESINE CAST BUSHING						
		ITEM CODE: FF0053						
			DRN.	SIGN	DATE			
			CHD.	TANVI	22.01.09			
			APPD.	AP	-			



	<b>MANUFACTURER</b> Fibre & Fibre Glass Products 250/7, MAGAZINE HOUSE G.I.D.C. MAKARPURA, VADODARA - 390010	<b>DRAWING NO.:</b> FFGP-040/09-10	Sheet Edition 1/1 0	REV 0