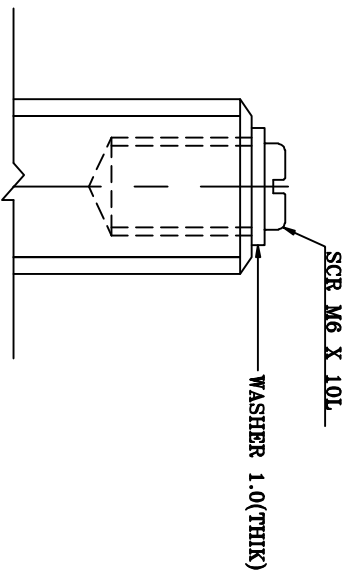
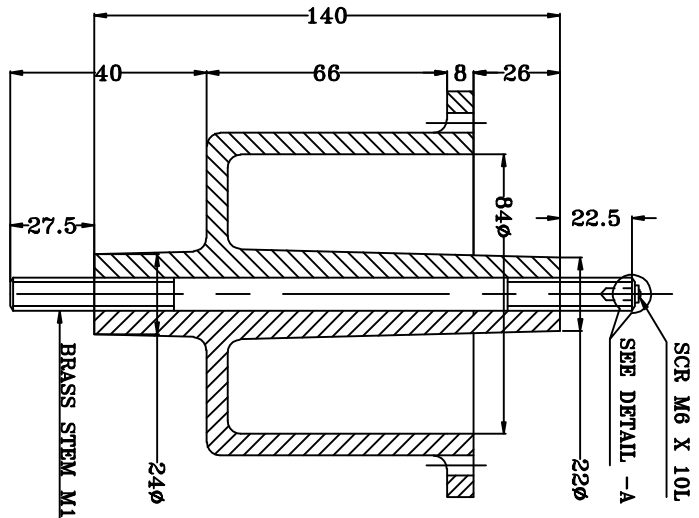
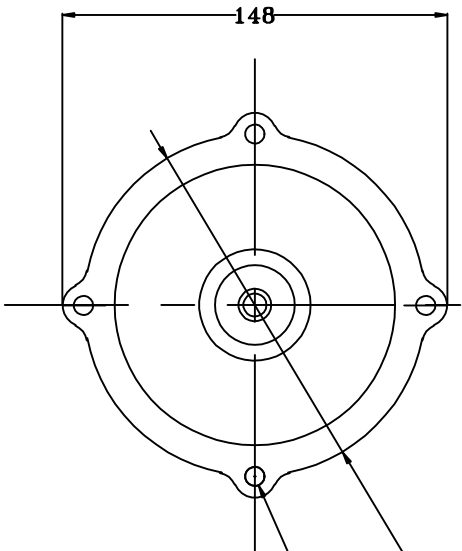


1	2	3	4
RevNo	Revision note	Date	Signature
			Checked



- ELECTRICAL SPECIFICATION IS: 9431**
- 1 MI. CURRENT CAPACITY.....250AMP
 - 2 RATED VOLTAGE.....11KV
 - 3 ONE MINUTE WITH DRY WITHSTAND VOLATEGE...28KV
 - 4 IMPULSE WITHSTAND VOLTAGE.....75KV
 - 5 PARCIAL DISCHARGE TEST AS PER.....IS:2099
- OTHERS:-**
- 1 ALL DIMENSIONS ARE IN MM.
 - 2 DRAWING IS IN 3rd ANGLE.
 - 3 TOLFRANCE OTHER THAN SPECIFIED IS +0.5
 - 4 COLOUR BRICK RED.

01	RATED VOLTAGE 11kv	DISCRPTION		TYPE	THIRD ANGLE
	EPOXY RESINE CAST BUSHING	DRN.	SIGN	DATE	
	ITEM CODE: FR0064	CHD.	TANVI	30/03/08	
	MANUFACTURER	APPD.	AP	-	
	Fibre & Fibre Glass Products	DRAWING NO.:	FFGP-002/08-09	Sheet Edition	REV
	250/7, MAGAZINE ROUSE			1/1	0
	G.I.D.C. MAKAPURA,				0
	VADODARA - 380010				

