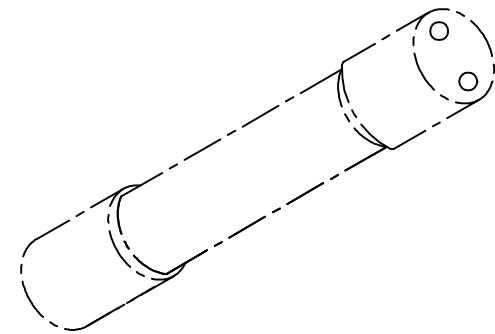
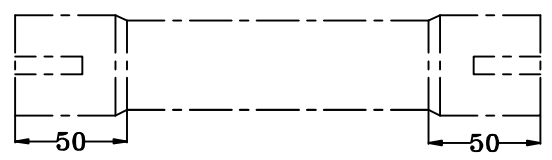
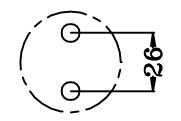
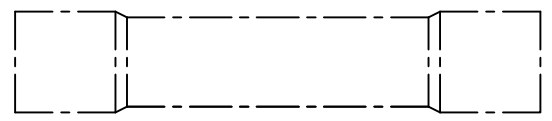
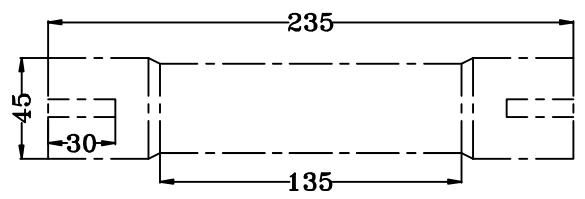
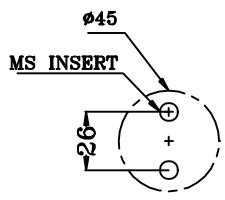
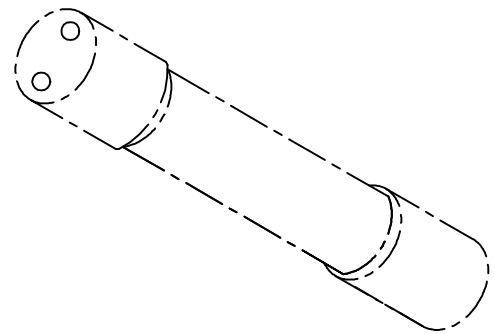
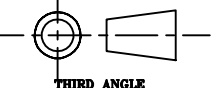



4 Signature Checked  
 3 Date  
 2  
 1 Revision note

A B C D E F



4  
 3  
 2  
 1

02	BRASS INSERTS				
01	M.S INSERT WITH WHITE ZINK PLATING				
TYPE	DISCRIPTION				
 THIRD ANGLE	<b>EPOXY RESINE CAST INSULATOR</b>	SIGN	DATE		
		DRN.	TANVI 12/02/09		
		CHD.	AP -		
		APPD.	- -		
	<b>MANUFACTURER</b> Fibre & Fibre Glass Products 250/7, MAGAZINE HOUSE G.I.D.C. MAKARPURA, VADODARA- 390010	DRAWING NO.:	Sheet	Edition	REV
		FFGP-023/09-10	1/1	0	01

A B C D E F